

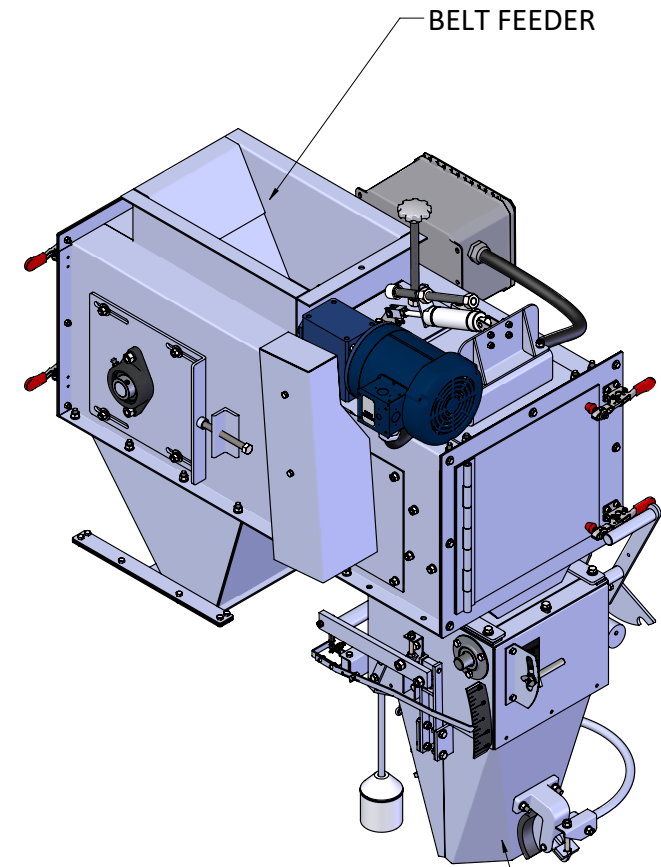
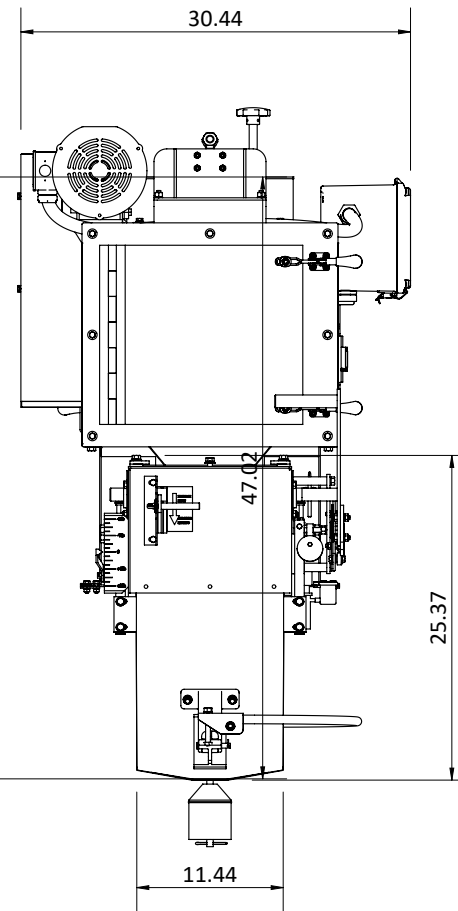
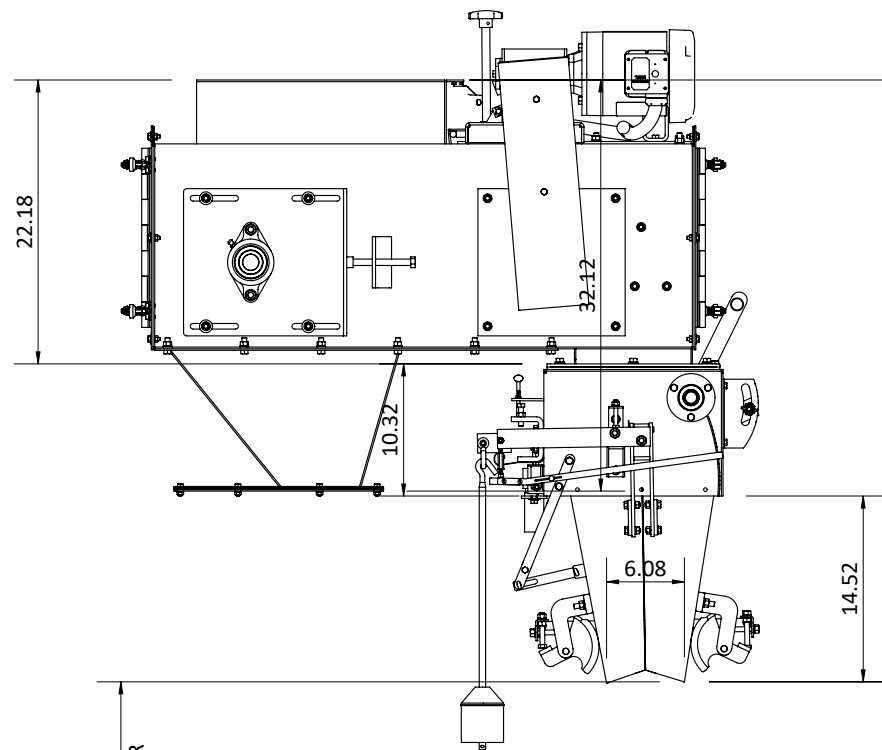
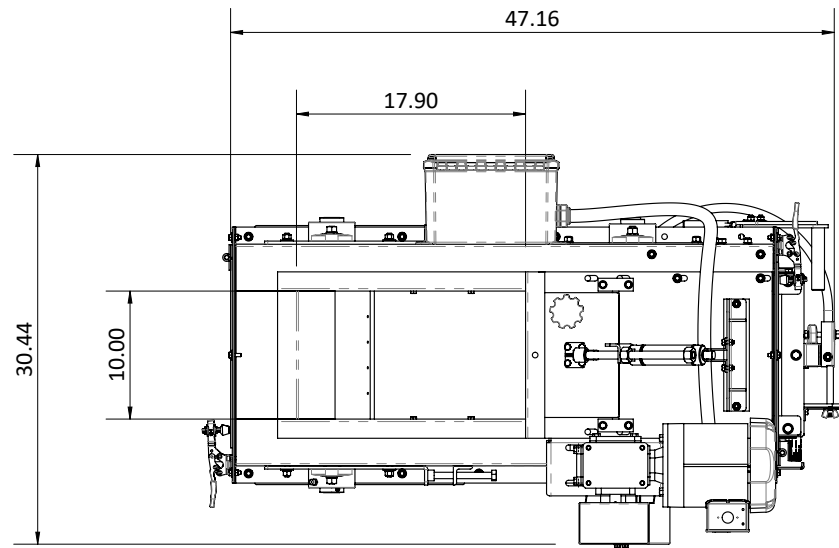
GB MECHANICAL GROSS WEIGH BAGGING SCALE
 5-6 BAGS PER MINUTE AT +/- 4 OZ ACCURACY
 SHIPPING CRATE SIZE: 30"X30"X30"
 WEIGHT: APPROX 200lb
 CLASS: CL-70

PARTS & MANUFACTURING
EXPRESS SCALE

14560 W. 99th Street - Lenexa, Kansas 66215
 P: 913-441-4787 - F: 913-745-1361

This document is the intellectual property of Express Scale Parts, Inc., which has exclusive rights to proprietary trade secrets and confidential information contained herein. Receipt of permission to use this document does not convey any rights to use the information contained herein without prior written consent of Express Scale Parts, Inc.
 © 2017 Express Scale Parts Inc. All Rights Reserved.

UNLESS OTHERWISE SPECIFIED:		DESIGNED:	DATE:	DESCRIPTION:	VENDOR:
UNITS:	INCHES (DECIMAL)	DRAFTED:	DATE:	GB (GROSS WEIGH BAGGING SCALE)	VENDOR NO:
TOLERANCES:	LINEAR: ±.06" ANGULAR: ±1°	CHECKED:	DATE:	FOR NON-DUSTY PRODUCT	WEIGHT:
QUOTE #		APPROVED:	DATE:	DRAWING NO:	118.95 LBS
CUSTOMER:		COMMENTS:		GB WITH 32" SPOUT	REVISION:
SALES DRAWING #				MATERIAL:	FORMAT:
				SEE PART #	B
				COLOR:	SCALE:
				FINISH SPEC:	1:8
					SHEET:
					1 OF 1



MULTIPLE SPOUT SIZES AVAILABLE

48.00
STANDARD TO FLOOR

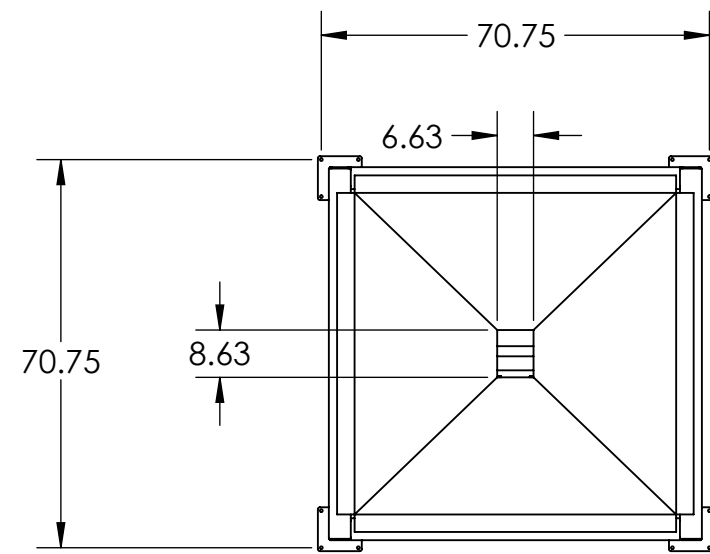
PARTS & MANUFACTURING
EXPRESS SCALE

14560 W. 99th Street - Lenexa, Kansas 66215
 P: 913-441-4787 - F: 913-745-1361

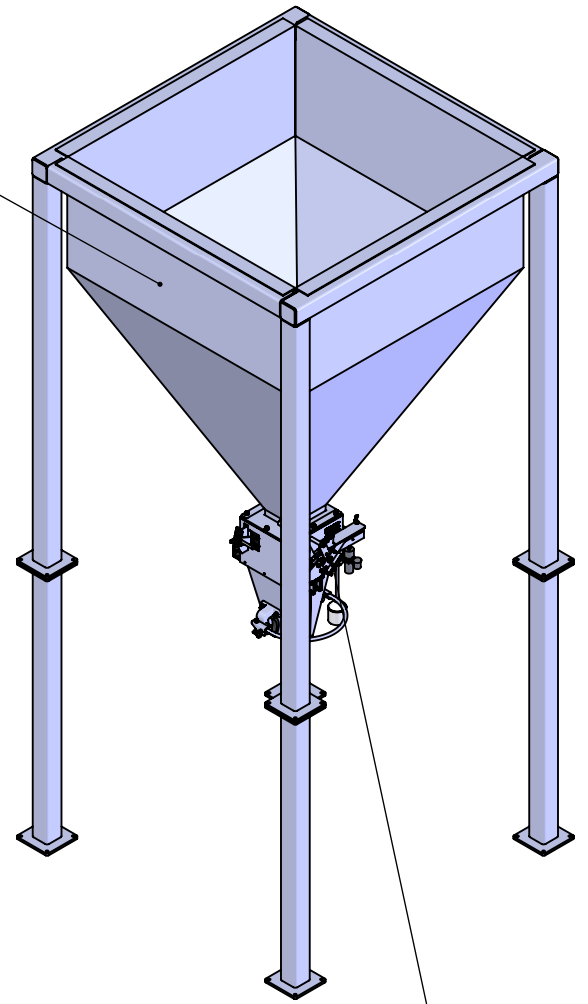
This document is the intellectual property of Express Scale Parts, Inc., which has exclusive rights to proprietary trade secrets and confidential information contained herein. Receipt of permission to use this document does not convey any rights to use the information contained herein without prior written consent of Express Scale Parts, Inc.

© 2017 Express Scale Parts Inc. All Rights Reserved.

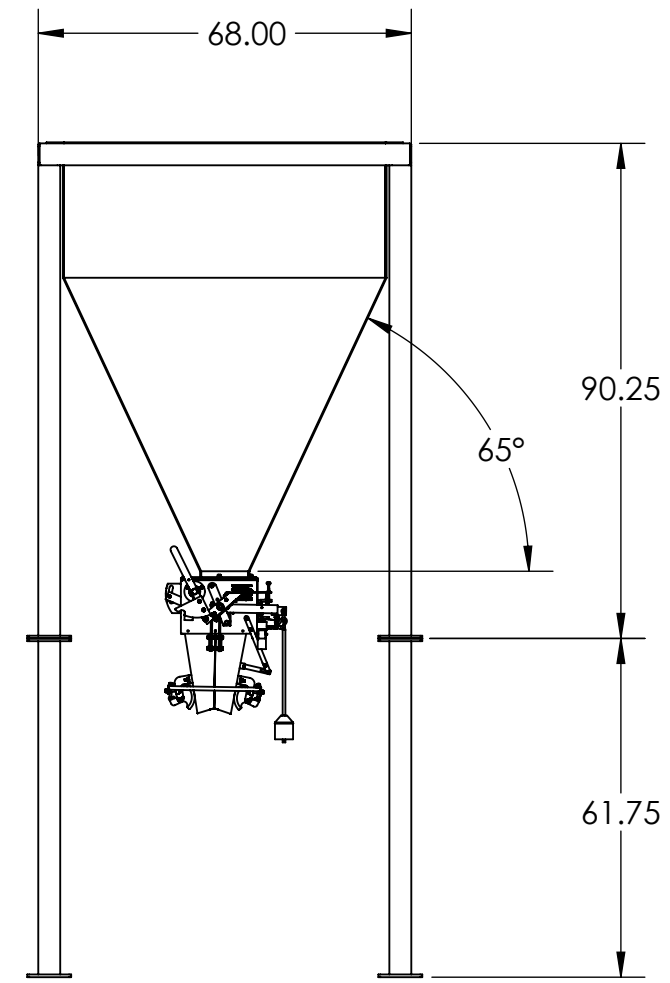
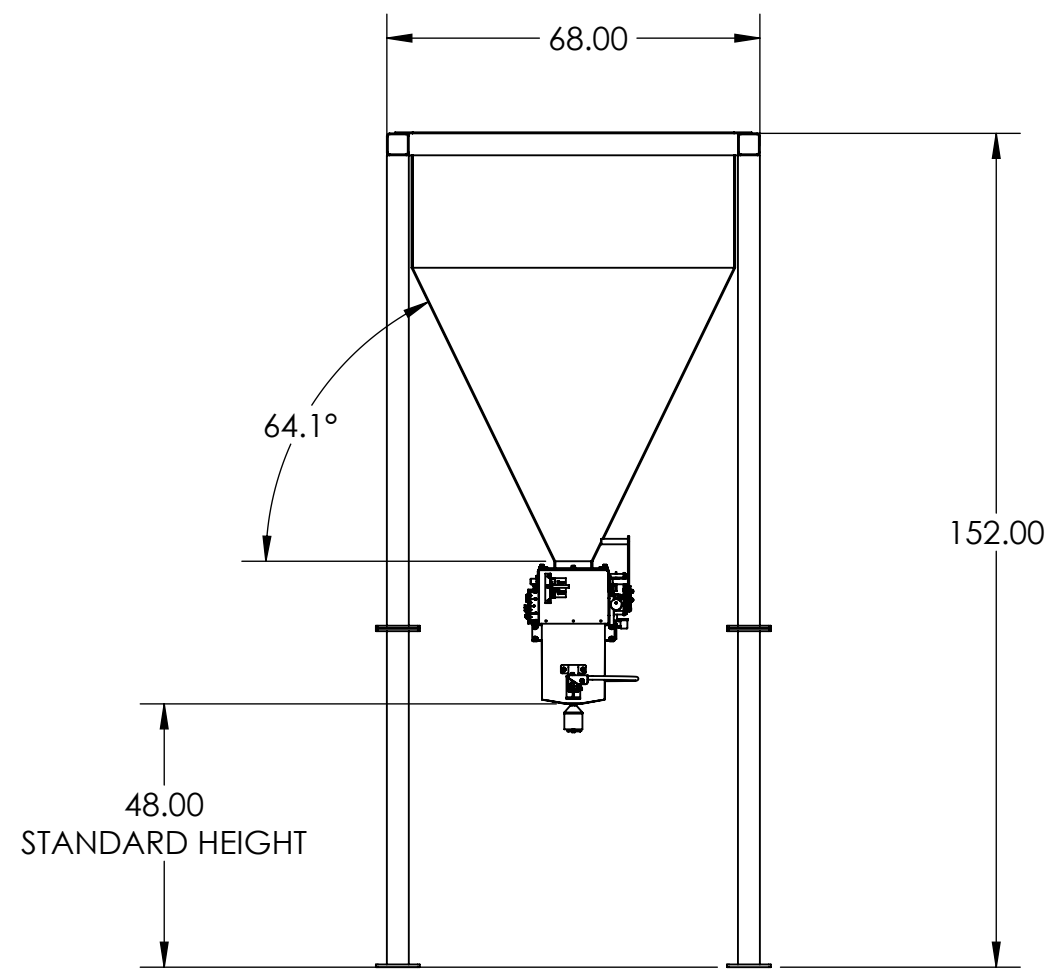
UNLESS OTHERWISE SPECIFIED:		DESIGNED:	DATE:	DESCRIPTION:	VENDOR:
UNITS:	INCHES (DECIMAL)	DRAFTED:	DATE:	GB (GROSS WEIGH BAGGING SCALE)	VENDOR NO.:
TOLERANCES:	LINEAR: ±.06" ANGULAR: ±1°	CHECKED:	DATE:	FOR NON-DUSTY PRODUCT	WEIGHT:
QUOTE #		APPROVED:	DATE:	DRAWING NO.:	79621.48 LBS
CUSTOMER:		COMMENTS:		GB WITH BELT FEEDER	REVISION:
SALES DRAWING #				MATERIAL:	FORMAT:
				SEE PART #	B
				COLOR:	SCALE:
				FINISH SPEC:	1:15
					SHEET:
					1 OF 1



87 CU' HOPPER



GB BAGGER WITH 32" SPOUT



<p>PARTS & MANUFACTURING EXPRESS SCALE</p> <p>14560 W. 99th Street - Lenexa, Kansas 66215 P: 913-441-4787 - F: 913-745-1361</p> <p><small>This document is the intellectual property of Express Scale Parts, Inc., which has exclusive rights to proprietary trade secrets and confidential information contained herein. Receipt of permission to use this document does not convey any rights to use the information contained herein without prior written consent of Express Scale Parts, Inc.</small></p> <p>© 2017 Express Scale Parts Inc. All Rights Reserved.</p>	UNLESS OTHERWISE SPECIFIED:	DESIGNED:	DATE:	DESCRIPTION:	VENDOR:
	UNITS: INCHES (DECIMAL)	DRAFTED: EW	DATE: 5/26/2021	GRAVITY FED GB BAGGER WITH DUST TIGHT SPOUT SURGE HOPPER ASSEMBLY	VENDOR NO:
	TOLERANCES: LINEAR: ±.06" ANGULAR: ±1°	CHECKED:	DATE:	DRAWING NO: GB WITH SURGE HOPPER	WEIGHT: 1845.80 LBS
	QUOTE #	APPROVED:	DATE:	MATERIAL: SEE PART #	REVISION:
	CUSTOMER: VALUED CUSTOMER	COMMENTS:	DATE:	FINISH: FINISH SPEC:	FORMAT: B
SALES DRAWING #			COLOR:	SHEET: 1 OF 1	